

# Flashing Light BExBG ATEX



The ideal flashing light for virtually all methods of installation: side-, top- and floor-mounting

- categories 2G (zones 1 and 2), 2D (zones 21 and 22)
- extremely bright with up to 15 joules flashing power
- large terminal chamber for ease of installation
- also available with terminal chamber for increased safety
- extremely sturdy, saltwater resistant aluminium LM6 housing and stainless steel protective cage
- 5 joules flashing lights can be mounted in any position

<b>IP 67</b>	<b>+55 °C</b>	<b>+70 °C</b>	<b>90%</b>
Protective system	Operating temperature	Storage temperature	Relative humidity

## Explosion protection:

Protective system	EEx d IP 67 / EEx e IP 66
Explosion protection	II 2G EEx d IIC T* / II 2G EEx de IIC T* / II 2D T* (see below)
Test authorities	KEMA
Test certificate	KEMA01 ATEX 2030X
Category (areas of application)	2G (zone 1, 2) and 2D (zone 21, 22)
Temperature class T*	<p><b>at 5 joules:</b></p> <p>II 2G T6 / II 2D T85°C at - 50 °C (- 58 °F) to + 40 °C (+ 104 °F) ambient temperature                      II 2G T5 / II 2D T100°C at - 50 °C (- 58 °F) to + 55 °C (+ 131 °F) ambient temperature</p> <p><b>at 10 joules and 15 joules:</b></p> <p>II 2G T5 / II 2D T100°C at - 50 °C (- 58 °F) to + 40 °C (+ 104 °F) ambient temperature                      II 2G T4 / II 2D T135°C at - 50 °C (- 58 °F) to + 55 °C (+ 131 °F) ambient temperature</p>

## Optical data:

Flashing frequency	60/min stabilized
Lens colours	transparent, red, amber, yellow, green, blue
Flashing power	5, 10 or 15 joules
Service life of flash tube	light emission reduced to 70% after approx. 8.000.000 flashes

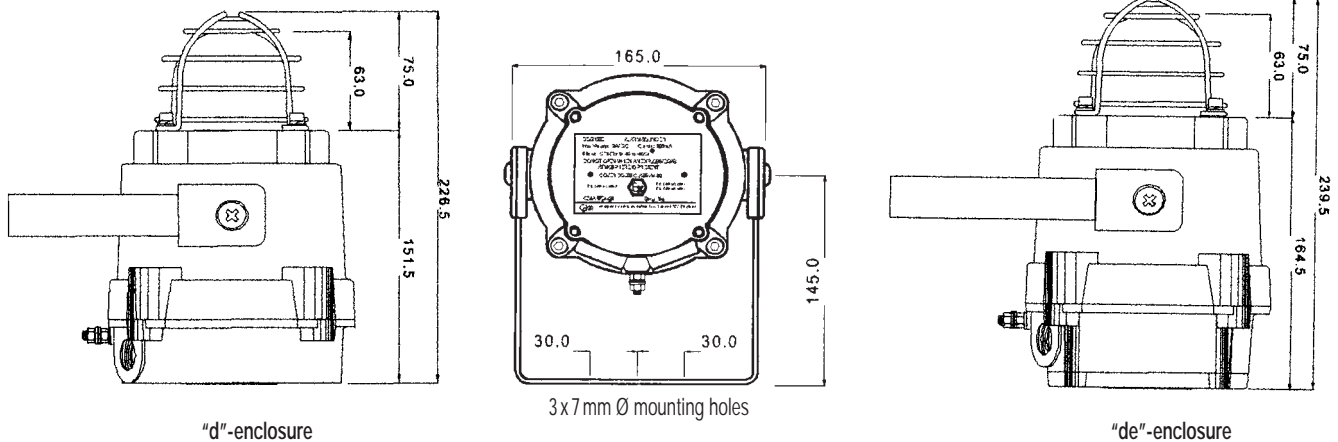
## Electrical data: AC 50Hz/60Hz

Rated voltage	Electrical data	BExBG 05D / BExBG05E (5 joules)
230 V	Voltage range Rated current	± 10% 55 mA
115 V	Voltage range Rated current	± 10% 140 mA
<b>BExBG10D / BExBG10E (10 joules)</b>		
230 V	Voltage range Rated current	± 10% 110 mA
115 V	Voltage range Rated current	± 10% 250 mA
<b>BExBG15D / BExBG15E (15 joules)</b>		
230 V	Voltage range Rated current	± 10% 170 mA
115 V	Voltage range Rated current	± 10% 360 mA

## DC

Rated voltage	Electrical data	BExBG05D / BExBG05E (5 joules)
48 V	Voltage range Rated current	± 25% 180 mA
24 V	Voltage range Rated current	± 25% 300 mA
12 V	Voltage range Rated current	± 25% 750 mA
<b>BExBG10D / BExBG10E (10 joules)</b>		
48 V	Voltage range Rated current	± 25% 340 mA
24 V	Voltage range Rated current	± 25% 660 mA
12 V	Voltage range Rated current	± 25% 1450 mA
<b>BExBG15D / BExBG15E (15 joules)</b>		
48 V	Voltage range Rated current	± 25% 480 mA
24 V	Voltage range Rated current	± 25% 860 mA

**Mechanical data:**



Mechanical data	BExBG
Housing material	aluminium LM6, red (RAL 3000)
Lens material	glass
Material cage and clamp	stainless steel
Terminals:	1 x 4 mm <sup>2</sup> or 2 x 2.5 mm <sup>2</sup>
Cable gland*	2 x M20 (one of which is open)
Weight	version "D" = 2.45 kg version "E" = 2.75 kg

\* Ex-type threaded connection for cable not included in scope of delivery

**Additional data:**

Climatic data	
Operating temperature	<p><b>at 5 joules:</b></p> <p>II 2G T6 / II 2D T85°C at - 50 °C (- 58 °F) to + 40°C (+ 104 °F) ambient temperature                      II 2G T5 / II 2D T100°C at - 50 °C (- 58 °F) to + 55 °C (+ 131 °F) ambient temperature</p> <p><b>at 10 joules and 15 joules:</b></p> <p>II 2G T5 / II 2D T100°C at - 50 °C (- 58 °F) to + 40 °C (+ 104 °F) ambient temperature                      II 2G T4 / II 2D T135°C at - 50 °C (- 58 °F) to + 55 °C (+ 131 °F) ambient temperature</p>
Storage temperature	- 50 °C (- 58 °F) ... + 70 °C (+ 158 °F)
Relative humidity	90%
Approvals	GOST
Sample order	model: BExBG10E voltage: 24V DC colour of globe: green

**Declaration of manufacturer**

We herewith declare that the explosion-proof flashing light with model designation  
**BExBG 05 ...15 d or e ATEX**  
 was developed and manufactured to comply with the section 5.1.2 of EN 50014.

**This declaration is issued in accordance with the following European Standards:**

- 94/9EC CE-Conformity
- EN 50014 Electronical devices for hazardous environments – General regulations
- EN 50018 Flameproof enclosure "d"
- EN 50019 Enhanced safety "e"
- EN 50281-1-1 Electrical apparatus for use in the presence of combustible dust
- EN 60529 Degrees of protection provided by enclosures (IP-code)
- 89/336/EEC "Electromagnetic compatibility"

The flashing light BExBG 05 ...15 d or e is approved for use in hazardous environments, zones 1, 2, 21 and 22 in compliance with 94/9/EC.