

Ex Sounder-Beacon Combination BExCS110-05 D, BExDCS110-05 D



- combination of visual and audible alarm system
- 110 dB (A) ± 3 dB (A) sound output
- high output 5 J xenon beacon
- 32 different alarm sounds (DIN-Tone), (see tone selection table on page 27)
- separate use of flash light and sounder possible
- external selection of 3 sounds
- corrosion resistant aluminium LM6 housing, suitable for the harshest conditions
- volume control (except 12 V DC-version)
- technically clearer explanations see text of BExA, BExS, BExBG, BExL

Possible combinations: loudspeaker (BExL15d) & flash light (BExBG05), speech and tone sounder (BExA110d) & flash light (BExBG05).

Other combinations on request!

IP 67	+50 °C -50 °C	+55 °C -50 °C	90%
Protective system	Operating temperature	Storage temperature	Relative humidity

Explosion protection:

	Ex-BExCS 110-05 D	Ex-BExDCS 110-05 D
Designation	Ex II 2G EEx d IIB T4	Ex II 2GD EEx d IIB T4 T100°C
Test authorities	KEMA	KEMA
Test certificate	03 ATEX 2545	01 ATEX 2223
Category (areas of application)	2G (zone 1) 3G (zone 2)	2G (zone 1) / 2D (zone 21) 3G (zone 2) / 3D (zone 22)
Temperature class	T4 at - 50 °C to 55 °C operating temperature	

Acoustic data:

Sound level	110 dB (A) ± 3 dB tone 5 (see page 27, tone selection table) at 1 m microphone distance
Volume control	- 9 dB (A)

Optical data:

	Ex-BExCS 110-05 D	Ex-BExDCS 110-05 D
Alarm range	Ø 2.5 m	
Warning range	Ø 10 m	
Lens colours	red, yellow, amber, blue, green, transparent	
Flashing frequency	approx. 1 Hz	
Flashing power	5 joules	
Service life of flash tube	light emission reduced to 70% after approx. 8.000.000 flashes	
Duty cycle	100%	

Electrical data sounder: AC 50 Hz/60 Hz

Rated voltage	Electrical data	Ex BEx(D)CS 110-05 D
230 V	Voltage range Mains frequency Rated current	± 10% 50/60 Hz 56 mA
115 V	Voltage range Mains frequency Rated current	± 10% 50/60 Hz 110 mA

DC

Rated voltage	Electrical data	Ex BEx(D)CS 110-05 D
48 V	Voltage range Rated current	± 25% 130 mA
24 V	Voltage range Rated current	± 25% 250 mA
12 V	Voltage range Rated current	± 25% 195 mA

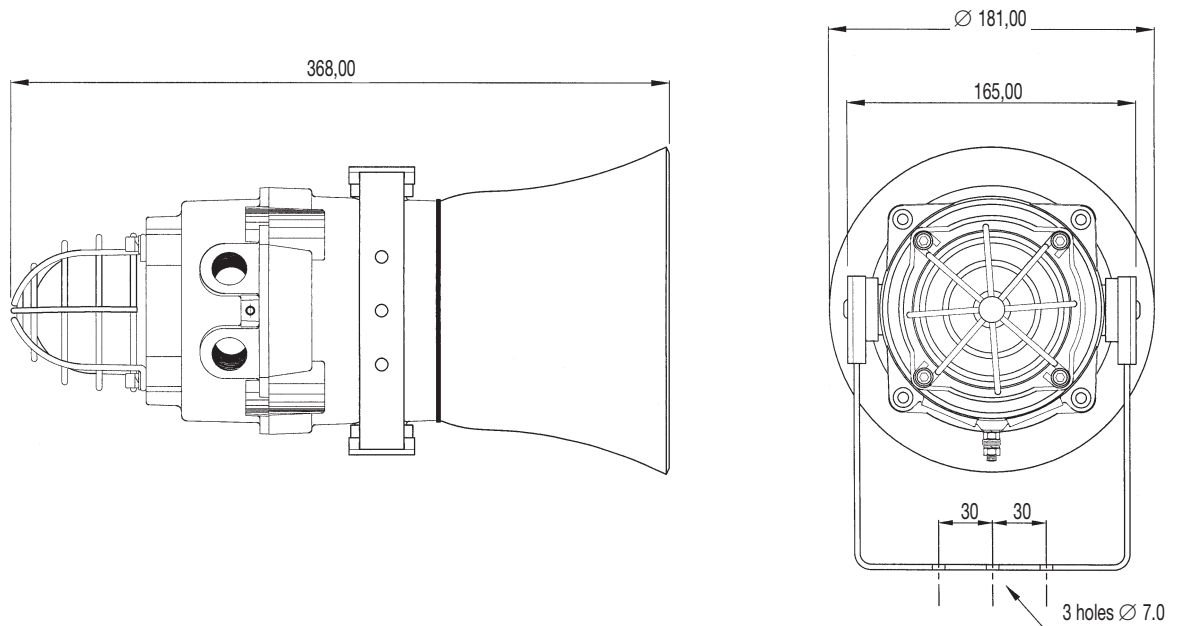
Electrical data flashing light: AC 50 Hz/60 Hz



Rated voltage	Electrical data	Ex BEx(D)CS 110-05 D
230 V	Voltage range Mains frequency Nennstromaufnahme	± 10% 50/60 Hz 55 mA
115 V	Voltage range Mains frequency Rated current	± 10% 50/60 Hz 140 mA

DC

Rated voltage	Electrical data	Ex BEx(D)CS 110-05 D
48 V	Voltage range Rated current	42 - 54 V 180 mA
24 V	Voltage range Rated current	20 - 28 V 270 mA
12 V	Voltage range Rated current	10 - 14 V 750 mA

Mechanical data:



Mechanical data	BExCS 110-05D, BExDCS 110-05 D
Housing material	die-cast aluminium LM6
Globe material	glass
Horn material	ABS self-extinguishing similar UL94 VO & 5 VA FR ABS,  II 2D antistatic ABS
Colour	similar RAL 3000 (flame red),  II 2D horn black
Terminals	terminals 0.5 to 4.0 mm ²
Cable gland*	2 / 1 x closed, 1 x open (M20)
Weight	DC version 4.8 kg AC version 5.0 kg

* Ex-type threaded connection for cable not included in scope of delivery

Additional data:

Climatic data	
Operating temperature	- 50 °C (- 58 °F) ... + 55 °C (+ 131 °F)
Storage temperature	- 50 °C (- 58 °F) ... + 70 °C (+ 158 °F)
Relative humidity	90%
Protective system	IP67 when used for design purpose
Approvals	GOST

Declaration of manufacturer

We herewith declare that the explosion-proof flashing light and sounder combination unit with model designation

BExCS 110-05D, BExDCS 110-05D

was developed and manufactured to comply with the section 5.1.2 of EN 50014.

This declaration is issued in accordance with the following European Standards:

94/9EC	CE-Conformity
EN 50014	Electronical devices for hazardous environments – General regulations
EN 50018	Flameproof enclosure “d”
DIN EN 50281-1-1	Electrical apparatus for use in the presence of combustible dust

Tones: see tone selection table BExS 110 / 120 on page 29.