



# Ex Loudspeaker BExL15 d/e, BExDL15 d/e



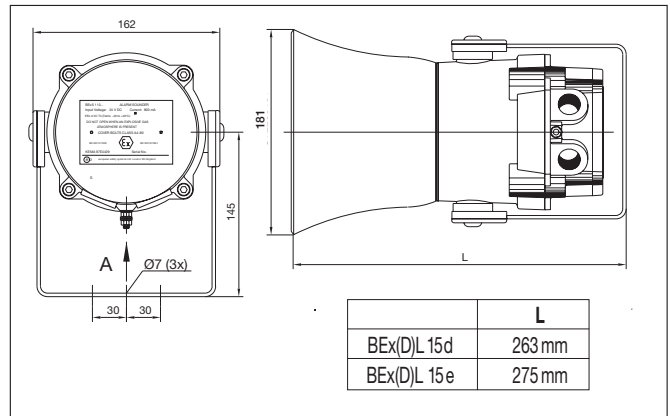
- EEx d IIC T4 / EEx de IIC T4
- KEMA certified
- marine grade LM6 LIGHT WEIGHT housing
- ABS horn
- max. sound level 112 dB(A)
- categories 2G and 3G (formerly zones 1 and 2)
- also available as category 2D/3D for dust zones 21 and 22

<b>IP 67</b> <b>IP 66</b>	<b>+70 °C</b> <b>-50 °C</b>	<b>+70 °C</b> <b>-50 °C</b>	<b>90%</b>
Protective system	Operating temperature	Storage temperature	Relative humidity

## Explosion protection:

Protective system	"d" = IP 67	"e" = IP 66
Designation BExL 15 d/e	ⓧ II 2G EEx d IIC T4, II 2G EEx de IIC T4 ⓧ II 2G EEx d IIB T4, II 2G EEx de IIB T4	
BExDL 15 d/e	ⓧ II 2G/D EEx d IIC T4 T100°C, II 2G/D EEx de IIC T4 T100°C	
Test authority	KEMA	
Certificate no.	BExL15d/e; 99 ATEX 7906 BExDL15d/e; 99 ATEX 6312	
Category (areas of application)	BExL 15 d/e: 2G (zone 1), 3G (zone 2) BExDL 15 d/e: 2G (zone 2), 3G (zone 2), 2D (zone 21), 3D (zone 22)	
Temperature class	IIC: T4 at -50°C to +55°C / IIB: T4 at -50°C to +70°C	

## Dimensions:



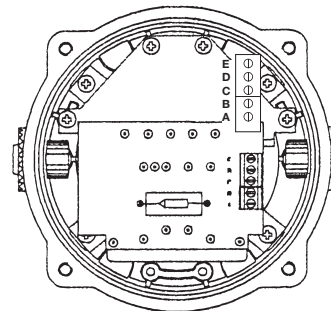
## Technical data:

Sound level	102 dB(A) ± 3 dB at 1 W at 1 m – PINK NOISE 113 dB(A) ± 3 dB at 25 W at 1 m – PINK NOISE
Rated power	15 Watts RMS
Transformer-Type	100 V line – 15 W / 7.5 W / 3 W / 1 W tapings (Z = 665,67 Ω / 1,34 kΩ / 3,34 kΩ / 10 kΩ)
Impedance	8 Ω or 16 Ω
Dispersion	120° at 1 kHz / 32° at 4 kHz
Frequency range	400 Hz – 8000 Hz
Operating temperature	-50 °C (-58 °F) ... +55 °C (+131 °F)
Storage temperature	-50 °C (-58 °F) ... +70 °C (+158 °F)

## Mechanical data:

Cable entries	2 x M20 ISO supplied with 1 blanking plug	
Terminals	suits 1 x 4 mm <sup>2</sup> or 2 x 2.5 mm <sup>2</sup>	
Housing	marine grade LM6	
Horn	ABS UL94 VO & 5VA FR ABS	
Colour	similar to RAL 3000 (flame red) (II 2GD horn black)	
Weight	BEx(D)L 15 d	transformer: 3.45 kg impedance: 3.1 kg
	BEx(D)L 15 e	transformer: 3.71 kg impedance: 3.36 kg

## BEx(D)L15d 100V Loudspeaker Power adjustment



Binder	BEx(D)L15 d (15W)
A-B	15 W
A-C	7.5 W
A-D	3 W
A-E	1 W