

Ex Loudspeaker BExL25 d/e, BExDL25 d/e



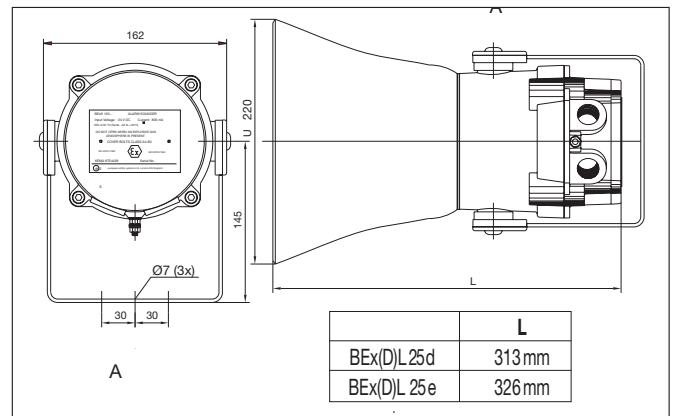
- EEx d IIC T4 / EEx de IIC T4
- KEMA certified
- marine grade LM6 LIGHT WEIGHT housing
- ABS horn
- max. sound level 117 dB(A)
- categories 2G and 3G (formerly zones 1 and 2)
- also available as category 2D/3D for dust zones 21 and 22

IP 67 IP 66	+70 °C -50 °C	+70 °C -50 °C	90%
Protective system	Operating temperature	Storage temperature	Relative humidity

Explosion protection:

Protective system	"d" = IP 67	"e" = IP 66
Designation BExL 25 d/e	Ex II 2G EEx d IIC T4, II 2G EEx de IIC T4 Ex II 2G EEx d IIB T4, II 2G EEx de IIB T4	
BExDL 25 d/e	Ex II 2G/D EEx d IIC T4 T100°C, II 2G/D EEx de IIC T4 T100°C	
Test authority	KEMA	
Certificate no.	BExL25d/e; 99 ATEX 7906 BExDL25d/e; 99 ATEX 6312	
Category (areas of application)	BExL 25 d/e: 2G (zone 1), 3G (zone 2) BExDL 25 d/e: 2G (zone 2), 3G (zone 2), 2D (zone 21), 3D (zone 22)	
Temperature class	IIC: T4 at -50°C to +55°C / IIB: T4 at -50°C to +70°C	

Dimensions:



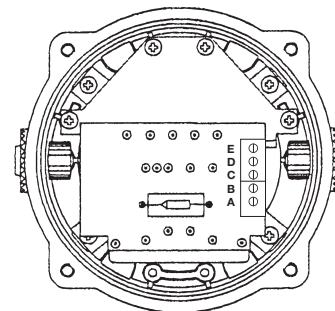
Technical data:

Sound level	105 dB(A) ± 3 dB at 1 W at 1 m – PINK NOISE 117 dB(A) ± 3 dB at 25 W at 1 m – PINK NOISE
Rated power	25 Watts RMS
Transformer-Type	100V line – 25W / 12.5W / 6W / 2W tapings (Z=400 Ω / 800 Ω / 1.67 kΩ / 5 kΩ)
Impedance	8 Ω or 16 Ω
Dispersion	130° at 1 kHz / 32° at 4 kHz
Frequency range	300 Hz – 8000 Hz
Operating temperature	-50 °C (-58 °F) ... +55 °C (+131 °F)
Storage temperature	-50 °C (-58 °F) ... +70 °C (+158 °F)

Mechanical data:

Cable entries	2 x M20 ISO supplied with 1 blanking plug	
Terminals	suits 1 x 4 mm ² or 2 x 2,5 mm ²	
Housing	marine grade LM6	
Horn	ABS UL94 VO & 5VA FR ABS	
Colour	similar to RAL 3000 (flame red) (II 2GD horn black)	
Weight	BEx(D)L 25 d	transformer: 3.95 kg impedance: 3.56 kg
	BEx(D)L 25 e	transformer: 4.21 kg impedance: 3.82 kg

BEx(D)L 25d 100V Loudspeaker Power adjustment



Binder	BEx(D)L 25d (25W)
A-B	25 W
A-C	12.5 W
A-D	6 W
A-E	2 W