

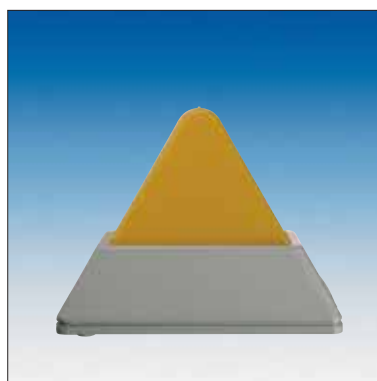
Continuous beam-lights



GDL



KDL



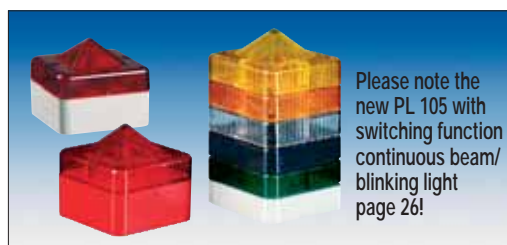
PD 2100



Electrical data:

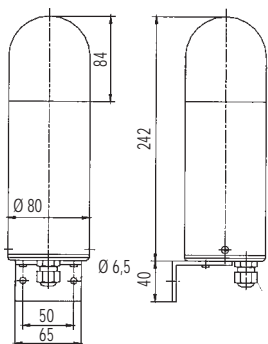
| | | |
|-----------------|------------|--|
| Nominal voltage | max. 240 V | |
| Max. power | KDL | max. 25 W* |
| | GDL | max. 25 W* |
| | PD 2100 | max. 15 W* |
| Lamp socket | KDL | BA 15 d, E 14, E 27 + 15 W „Dulux EL“ BA 15 s |
| | GDL | E 14 |
| | PD 2100 | E 14, BA 15 d |

* bulb only available as accessory

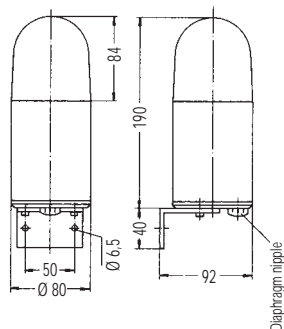


Mechanical data and dimensions:

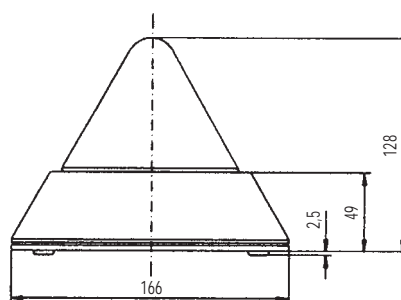
GDL



KDL



PD 2100 / PD 2100-LED / PD 2100-M-ASI



| | |
|-------------|------------------------|
| Cable gland | PG 11 diaphragm nipple |
|-------------|------------------------|

Standard:

| | | |
|-------------------------|---------------------|-------------------|
| Operational temperature | Storage temperature | Relative humidity |
| + 32 °C | + 80 °C | 90% |
| - 40 °C | - 40 °C | |

| | |
|-------------------|------------|
| Protective system | KDL GDL |
| IP 54 | |

| | |
|-------------------|---------|
| Protective system | PD 2100 |
| IP 55* | |

* details on request

Accessories:



Approvals on request:



Sample order:

| | | | |
|-------------------|----------------------|-------------------------|---------------------------------|
| Model: PD 2100 | Lamp socket: E 14 | Globe colour: YELLOW | Accessories: Bulb 24 V, 15 W |
|-------------------|----------------------|-------------------------|---------------------------------|

Conformity to standard:

EN 60 825-1 Radiation safety of laser equipment identical to IEC 825 and DIN-VDE 0837