

Speech and Tone Sounder 100 dB(A) synchronized



PAS106 SYNC

PAS 106 SYNC with improved synchronized voice quality!

- fully synchronized by more than one sounder
→ no sync circuit necessary
- free text programming at will
- sound level 100 dB(A)
- tone / voice message duration max. 16 sec.
3 different stages possible
- 14 different tones (DIN tone)
- volume control: 3 selections and 1 potentiometer
- external sound pattern selection



Operational temperature



Storage temperature



Relative humidity



Protective system

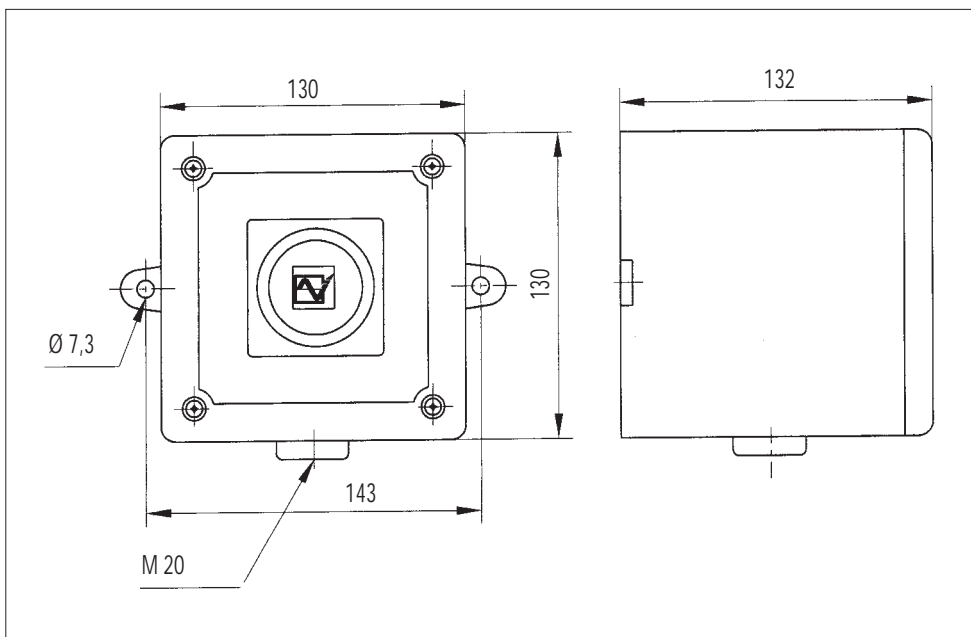
Technical data:

Nominal voltage:	24 V DC
Operating range:	10 – 30 V DC
Rated current:	130 mA at 100 dB(A)
	80 mA at 97 dB(A)
	50 mA at 94 dB(A)
	(selectable via jumper)

Voice approx. 3–5 dB(A) below tone

Mechanical data:

Dimensions:	130 x 130 x 132 mm
Cable gland:	M 20
Protective system:	IP55 (EN 60529)
Housing:	ABS self-extinguishing UL94 V0
Colour:	similar to RAL3000 (flame-red)
Weight:	0,75 kg



Sound patterns:

Tone No.	Tone description	Stage 2 + 3 tone selection		
		Tone A	Tone B	Tone C
1	Australian alert tone	5	8	4
2	Sawtooth (Netherlands)	10	8	12
3	Sweeping 800 / 1000 Hz at 7 Hz	8	14	10
4	Australian Evacuate	1	8	5
5	Simulated bell sound	10	13	2
6	German DIN tone	13	2	10
7	French AFNOR tone	10	5	9
8	Continuous tone - 1000 Hz	10	11	5
9	Continuous tone - 554 Hz	5	7	12
10	Alternating tone 800 / 1000 Hz at 2 Hz	8	6	11
Tones 11 to 14 available as stage 2 or stage 3 as indicated				
11	Interrupted tone, 1000 Hz, 0,5 s signal, 0,5 s gap	-	-	-
12	Continuous tone - 2400 Hz	-	-	-
13	Continuous tone - 800 Hz	-	-	-
14	Sweeping 2400 / 2900 Hz at 1Hz	-	-	-

External message modes:

	Stage 1:	Stage 2:	Stage 3:	
Mode 1	tone - message 1	tone - message 2	tone - message 3	stage 1 = factory setting stage 2 and stage 3 can be selected externally via ground. Each stage can have a different time interval.
Mode 2	message 1	message 2	message 3	
Mode 3	tone - message 1 - message 1	tone - message 2 - message 2	tone - message 2 - message 3	
	(tones 1 - 10 possible)	(tones 1 - 14 possible)		

Attention: Total message length max. 16 s!

Available deliveries:

Sounder PAS 106 SYNC without programming (price list: see PASS106)
Sounder PAS 106 SYNC with company-side programming (sound carrier has to be provided)

Option:

Programmer (integrated microphone, connection possibility of an external recorder)
Edit device

- fully synchronized reproduction with several sounders
- all sounders are programmed with the same edit device
- re-recordable via programmer
- exact definition of alarms and warnings
- any message in any language easily recordable with programmer
- excellent voice message(s) playback quality
- low power consumption and thus long alert notice with emergency power possible
- suitable for USV-Systems because of 24 V rated voltage
- volume control with potentiometer up to 0 dB(A)
- no ELA-Systems for speech reproduction
- ideal for fire alarm and evacuation alarms