

Continuous-beam lights



PD2100-M-ASI / PD2100-LED Quadro D25

Optical data: Quadro D 25

Available globe colours:

clear, white, yellow, amber, red, green, blue

Electrical data: Quadro D 25

Rated voltage:	max. 250 V AC
Nominal power:	max. 25 Watt
Duty cycle:	100%

Mechanical data and dimensions: Quadro D 25

Quadro D25

The continuous beam light is used where machine status must be shown and/or warned against.

For all industrial applications both indoors and outdoors.

- fits extremely well on machines and equipment
- good visibility from all sides
- upmarket design
- high protection IP 66 / IP 67
- high impact resistant IK 08

PD 2100-LED

A machine light in an elegant pyramid design fitted with a LED light source enabling an extreme service life of (> 50,000 h), vibration and shock resistant, low current consumption

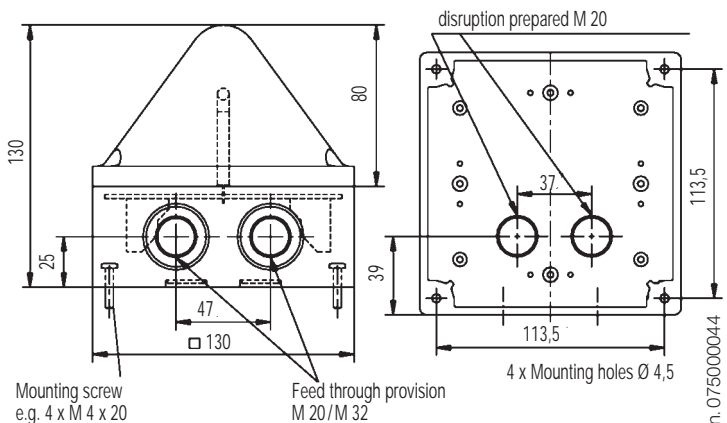
- minimum maintenance cost
- excellent safety

PD 2100-M-ASI

Same function as the PD 2100-LED but with stable monitoring electronics and integrated AS-Interface-slave.

Quadro D 25:

IP 66	IP 67	IK 08	+55 °C	+70 °C	90%
Protective system	Protective system	Housing high impact resistant	Operational temperature	Storage temperature	Relative humidity



Mechanical data:	Quadro D25	PD 2100-LED	PD 2100-M-ASI
Cable gland	at the side: 2 x M 20 / M 32 – underneath: 2 x M 20	M 20, alternatively at the side or underneath	
Lamp socket	BA15d	incl. light source (LED) firm integrated	
Voltage		24 V DC / 115 V AC / 230V AC	
Connection socket	max. 0,5 ... 4 mm ²		
Weight (without bulb)	0,4 kg	AC version: 300 g / DC version: 360 g	
Material housing	Polycarbonate (PC)	ABS, light-grey, similar to RAL 7035	
Material globe	Polycarbonate (PC)	Acrylic glass, PMMA	
Colour of housing	light-grey (RAL 7035) / Option: red (RAL 3000)	Material base: ABS, light-grey, similar to RAL 7035	
Standard:	Quadro D 25	PD 2100-LED	PD 2100-M-ASI
Operational temperature	-25 °C ... +55 °C	-25 °C ... +45 °C	
Storage temperature	-40 °C ... +70 °C	-10 °C ... +70 °C	
Relative humidity	90%	90%	
Protective system	IP 66 IP 67 (EN 60529), IK 08 (EN 50102), any installation	IP 55 (EN 60529 at vertical / horizontal installation)	
Protective class	II	II	