

# Filterfan PF 1.000



## PF 1.000

For versatile incorporation into equipment. Examples are in the medical industry, in EDP equipment, warning and control enclosures and also for low power applications.



System of protection



Click and fit!



Colour



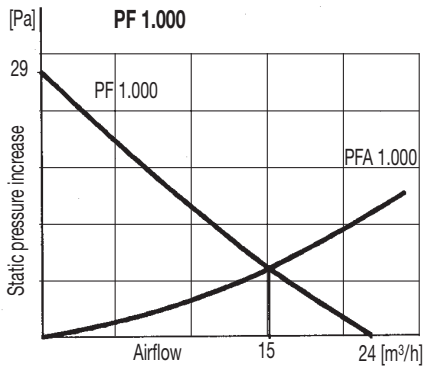
Installation without tools

Airflow data	PF 1.000
Filter material (standard grade)	150 g/m <sup>2</sup>
Unimpeded airflow	24 m <sup>3</sup> /h; 50 Hz / 28 m <sup>3</sup> /h; 60 Hz
Capacity free-flow	8 W/K / 9 W/K
Airflow in combination (filterfan + exhaust filter)	15 m <sup>3</sup> /h; 50 Hz / 17 m <sup>3</sup> /h; 60 Hz (PF 1.000 + PFA 1.000)
Capacity in combination (filterfan + exhaust filter)	5 W/K / 6 W/K (PF 1.000 + PFA 1.000)
Max. static pressure (Airflow = 0 m <sup>3</sup> /h)	29 Pa
Filtration efficiency	73%
Filter material grade (DIN EN 779)	G 2
Noise level (DIN 45 635)	39 dB (A)
Duty cycle	100%

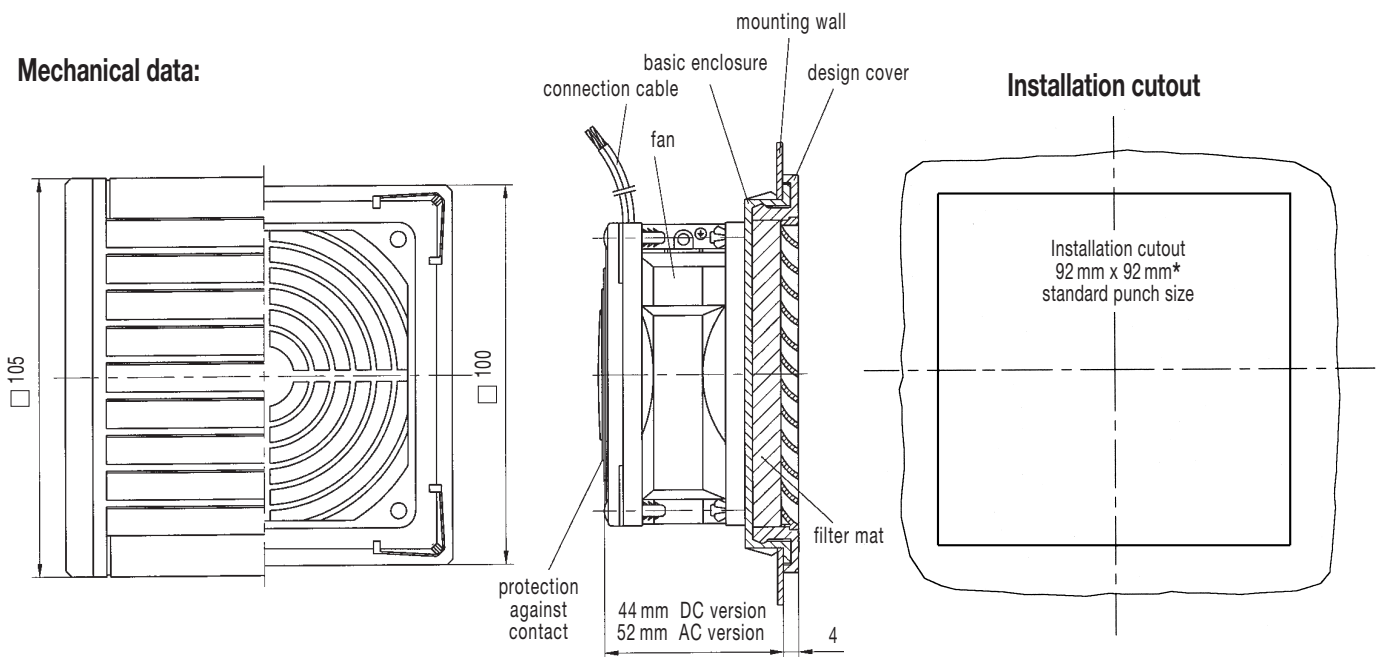
Technical data	PF 1.000	
	AC	DC
Outside dimensions in mm (Height x Width x Installation depth)	105 x 105 x 52	105 x 105 x 44
Bearing type	sleeve bearings	ball bearings
Fitting position	horizontal – vertical	any
Construction	housing and guard of sprayed thermoplastic (PC-FR) self-extinguishing, UL94 VO	
Weight	0,60 kg	0,45 kg
Safety protection	according to EN 60529	
Colour	RAL 7035, RAL 7032 or black, other colours available on request	
Type of connection	2 wires, 310 mm long	

Electrical data	PF 1.000				
	AC 50 Hz / 60 Hz		DC		
Rated voltage	230V	115V	12V	24V	48V
Voltage range	187V ... 253V	97V ... 127V	7V ... 15V	14V ... 28V	36V ... 56V
Power consumption	12W / 11W	12W / 11W	2,4W	2,4W	2,6W

**Airflow data:**



**Mechanical data:**



Supplementary data	AC	DC
<b>Climatic data</b>		
Operating temperature	-10 °C to +60 °C	-20 °C to +60 °C
Storage temperature		-20 °C to +70 °C
Max. relative humidity	90%	
System of protection	IP 43 (EN 60529), when used as recommended, not for outdoor-application	
Basic parts kit	standard filter, mounting- and user manual	
Accessories	radiant heater, fan heater, thermostat, see Thermal Management	
Approvals	UL approval see overview filterfans	
* Tolerance installation cutout	92 <sup>+1</sup> <sub>-0</sub>	