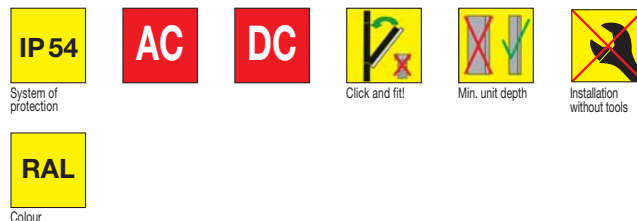


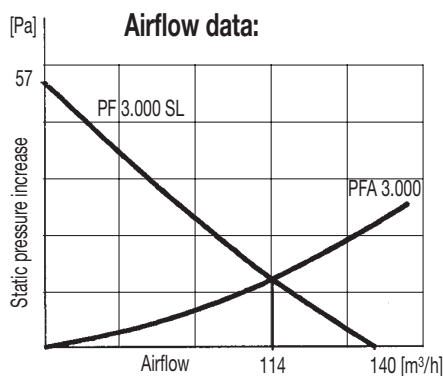
# PF-Series Slim Line Filterfan PF 3000 SL



**PF 3000 SL**  
Low profile filterfans depth  
Built-in depth: 92,5 mm



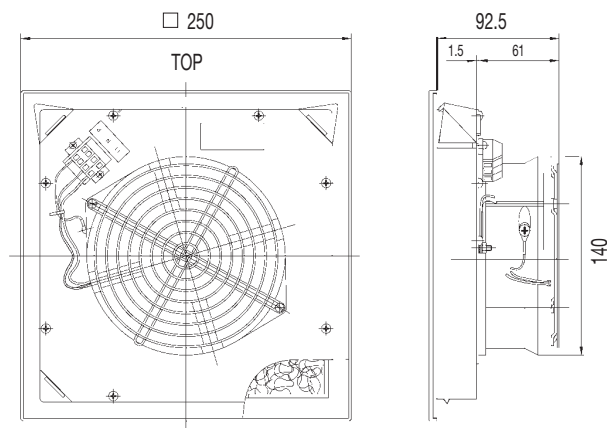
Airflow data	PF 3000 SL
Unimpeded airflow (free-flow)	140 m³/h
Capacity (free-flow)	47 W/K
Airflow in combination (filterfan + exhaust filter PFA 3000)	114 m³/h
Capacity in combination (filterfan + exhaust filter PFA 3000)	38 W/K
Noise level	55 dB(A)
Filter mat	150 g/m²



Electrical data	PF 3000 SL	
Rated voltage <sup>1)</sup>	230V	115V
Voltage range	207V...244V	103V...122V
Mains frequency	50/60 Hz	
Power consumption	46/44 Watt	48/46 Watt
Nominal current	0,25 A	0,45 A
Duty cycle	100%	
Type of connection	cage clamp	

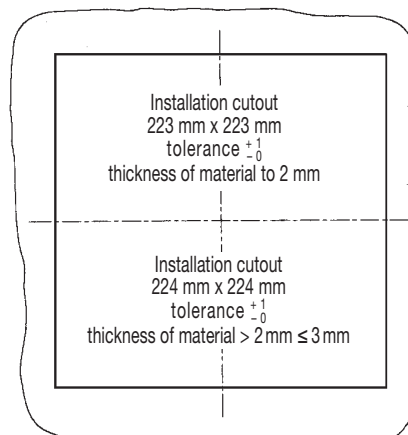
<sup>1)</sup> 24V DC version on request

### Mechanical data:



Supplementary data	PF 3000 SL
Dimensions	250 x 250 x 92,5 mm (Height x Width x Installation depth)
Construction	sprayed thermoplastic (ABS-FR), self-extinguishing, UL94 VO
Safety protection	according to DIN 31001
Colour	RAL 7035, RAL 7032
System of protection	IP 54 (EN 60529), when used as recommended
Weight	1,85/1,75 kg (230/115V)
Approvals	UL approval see overview filterfans

### Installation cutout



We reserve the right to technical alterations. Subject to correction. 075000053