

PF-Series Slim Line

Filterfan PF 6000 SL 2



PF 6000 SL 2
Low profile filterfans depth
Built-in depth: 92,5 mm



System of protection



Click and fit!



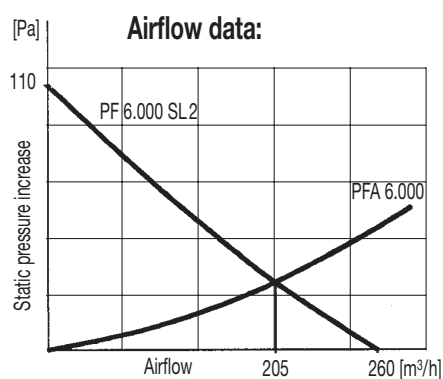
Min. unit depth



Cutout compatibility



Installation without tools

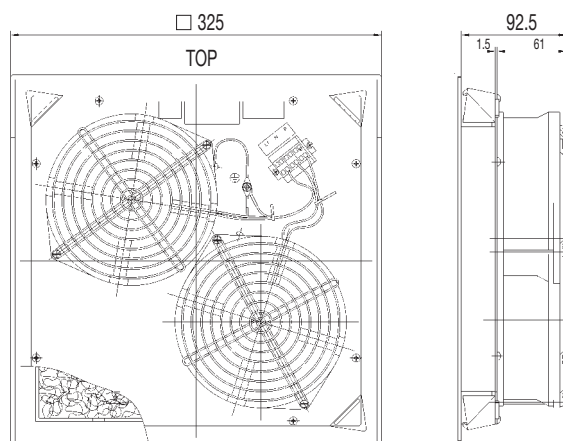


Airflow data	PF 6000 SL 2
Unimpeded airflow (free-flow)	260 m³/h
Capacity (free-flow)	86 W/K
Airflow in combination (filterfan + exhaust filter PFA 6000)	205 m³/h
Capacity in combination (filterfan + exhaust filter PFA 6000)	68 W/K
Noise level	58 dB(A)
Filter mat	350 g/m²

Electrical data	PF 6000 SL 2	
Rated voltage ¹⁾	230V	115V
Voltage range	207V...244V	103V...122V
Mains frequency	50/60 Hz	
Power consumption	92/88 Watt	96/92 Watt
Nominal current	0,5A	0,9A
Duty cycle	100%	
Type of connection	cage clamp	

¹⁾ 24V DC version on request

Mechanical data:



Supplementary data	PF 6000 SL 2
Dimensions	325 x 325 x 92,5 mm (Height x Width x Installation depth)
Construction	sprayed thermoplastic (ABS-FR), self-extinguishing, UL94 VO
Safety protection	according to DIN 31001
Colour	RAL 7035, RAL 7032
System of protection	IP 54 (EN 60529), when used as recommended
Weight	3,55/3,45 kg (230/115V)
* Tolerance installation cutout	291 ⁺¹ / ₋₀
Approvals	UL approval see overview filterfans

Installation cutout

