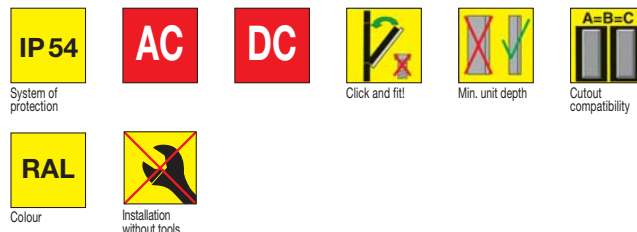


PF-Series Slim Line

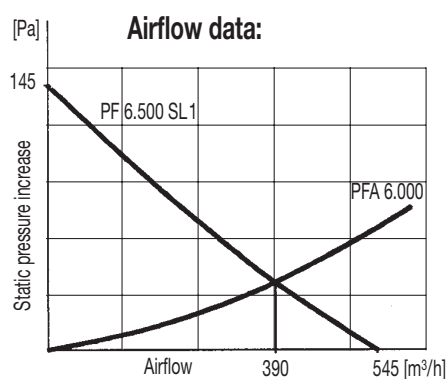
Filterfan PF 6500 SL 1



PF 6500 SL 1
 Low profile filterfans depth
 Built-in depth: 125 mm

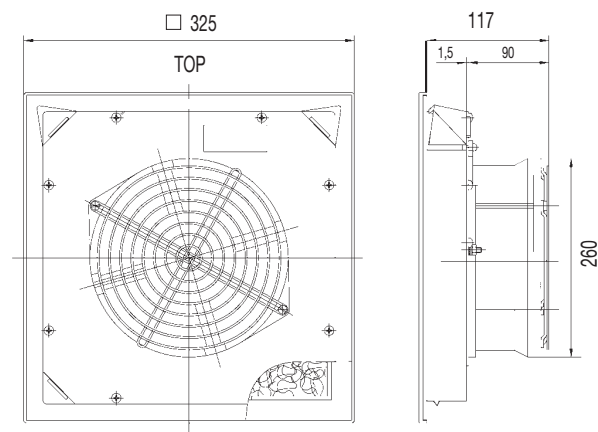


| Airflow data | PF 6500 SL 1 |
|---|-----------------------|
| Unimpeded airflow (free-flow) | 545 m ³ /h |
| Capacity (free-flow) | 165 W/K |
| Airflow in combination (filterfan + exhaust filter PFA 6000) | 390 m ³ /h |
| Capacity in combination (filterfan + exhaust filter PFA 6000) | 126 W/K |
| Noise level | 59 dB(A) |
| Filter mat | 150 g/m ² |



| Electrical data | PF 6500 SL 1 | |
|--------------------|-----------------|-----------------|
| Rated voltage | 230 V | 115 V |
| Voltage range | 207 V ... 244 V | 103 V ... 122 V |
| Mains frequency | 50 / 60 Hz | |
| Power consumption | 64 / 80 Watt | |
| Nominal current | 0,29 A | 0,58 A |
| Duty cycle | 100% | |
| Type of connection | terminal strip | |

Mechanical data:



| Supplementary data | PF 6500 SL 1 |
|---------------------------------|---|
| Dimensions | 325 x 325 x 117 mm (Height x Width x Installation depth) |
| Construction | sprayed thermoplastic (ABS-FR), self-extinguishing, UL94 VO |
| Safety protection | according to DIN 31001 |
| Colour | RAL 7035, RAL 7032 |
| System of protection | IP 54 (EN 60529), when used as recommended |
| Weight | 3,75 kg (230/115V) |
| * Tolerance installation cutout | 291 \pm 1 / -0 |
| Approvals | UL approval see overview filterfans |

Installation cutout

