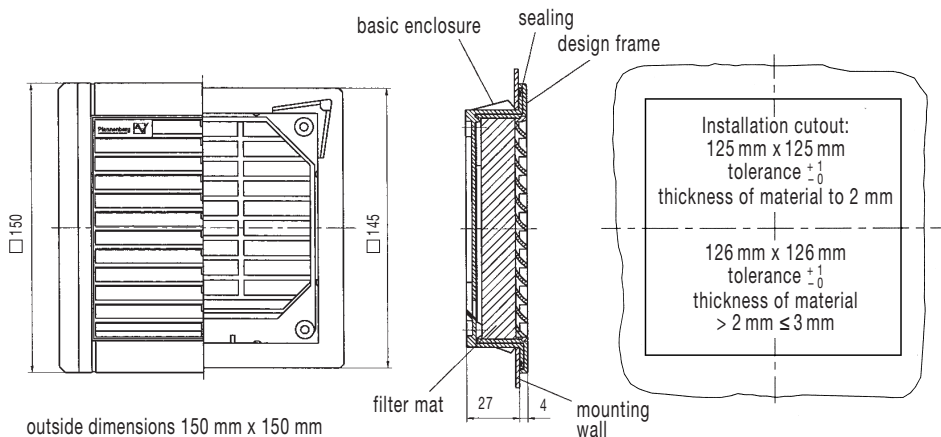
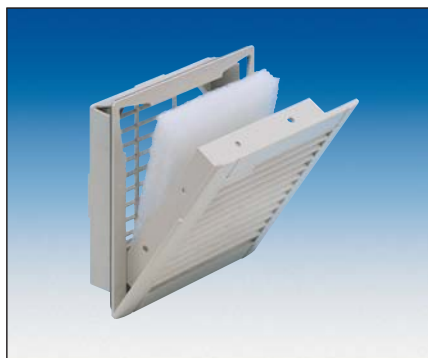
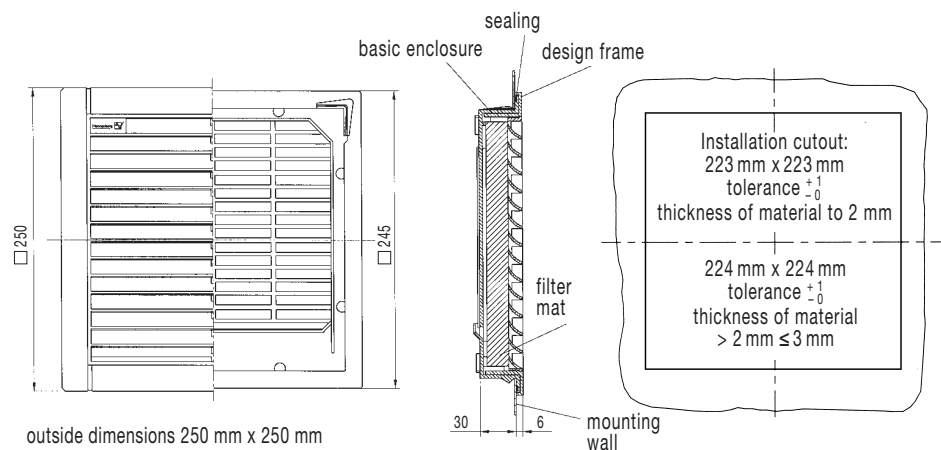
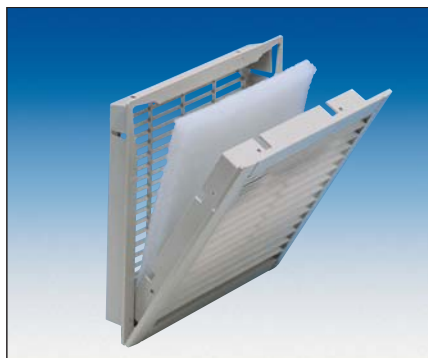


Exhaust Filters - Model PFA IP 55

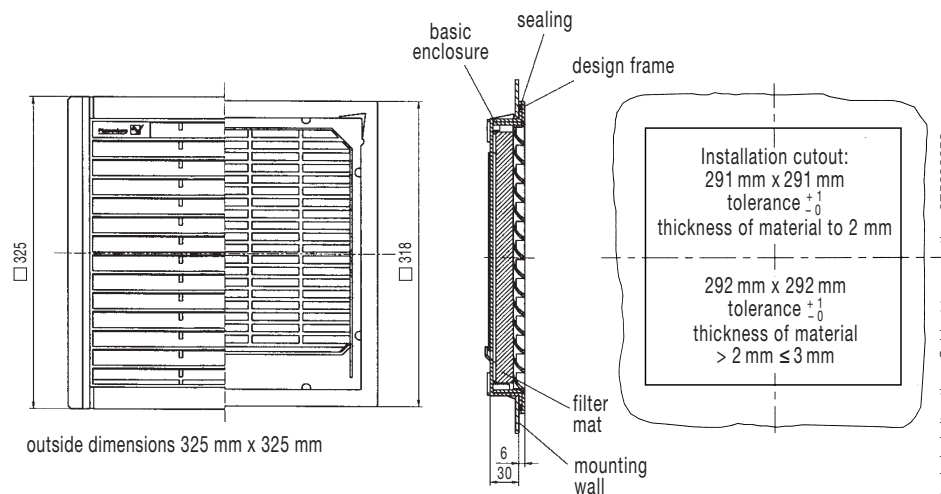
PFA2.000



PFA2.500 / 3.000



PFA5.000 / 6.000 / 7.000



„ ... click and fit!“

- same design as the filterfan PF-series
- Pfannenber developed and patented snap-fastening „ ... click and fit“
- for door mounting in accordance with VDE 0113 (EN 60204) without screws
- easy filter exchange during use
- with integrated foamed on seal to enclosure



System of protection



Click and fit!



Installation without tools



UV resistant



Colour

Airflow data	PFA 2.000	PFA 2.500 / 3.000	PFA 5.00 / 6.000 / 7.000
Filter mat	350 g/m ² and 150 g/m ²		
Filtration efficiency	91%		
Filter material grade (DIN EN 779)	G 4		

Technical data	PFA 2.000	PFA 2.500 / 3.000	PFA 5.00 / 6.000 / 7.000
Outside dimensions in mm (Height x Width x Installation depth)	150 x 150 x 27	250 x 250 x 30	325 x 325 x 30
Material	sprayed thermoplastic, self-extinguishing, UL94 VO		
Weight	0,126 kg	0,460 kg	0,755 kg
Colour	RAL 7035, RAL 7032 or black, other colours available on request		

Supplementary data	PFA 2.000	PFA 2.500 / 3.000	PFA 5.00 / 6.000 / 7.000
Climatic data			
Operating temperature	-20 °C to +70 °C		
Storage temperature	-20 °C to +70 °C		
Max. relative humidity	90%		
System of protection	IP55 when used as recommended		
Basic parts kit	IP55 filter mat, mounting- and user manual		
Accessories	radiant heater, fan heater, thermostat, see Thermal Management		