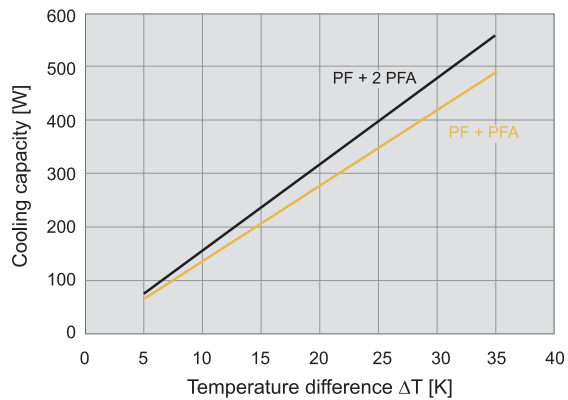
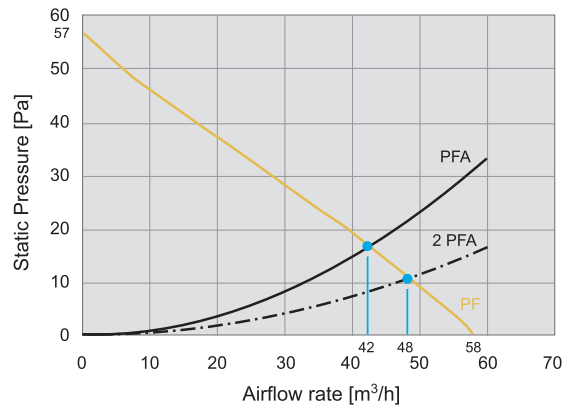


Cooling capacity performance curves
PFB 22.000 IP 54



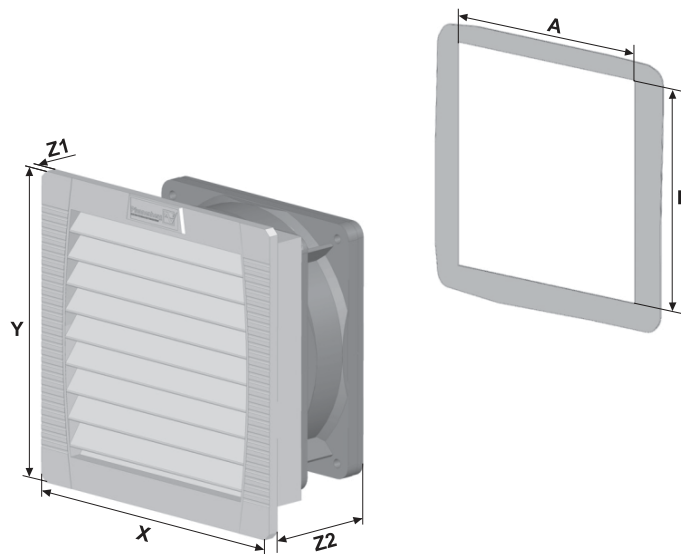
Static pressure performance curves
PFB 22.000 IP 54



Dimensions

mm	PFB 22.000	PFBA 20.000
X	145	145
Y	145	145
Z1	5	5
Z2	70	26
A ¹	125	125
B ¹	125	125

¹ for material thicknesses up to 2 mm
+1 mm for thickness of material > 2 mm ≤ 3 mm



IP 55 Filter fans available on request