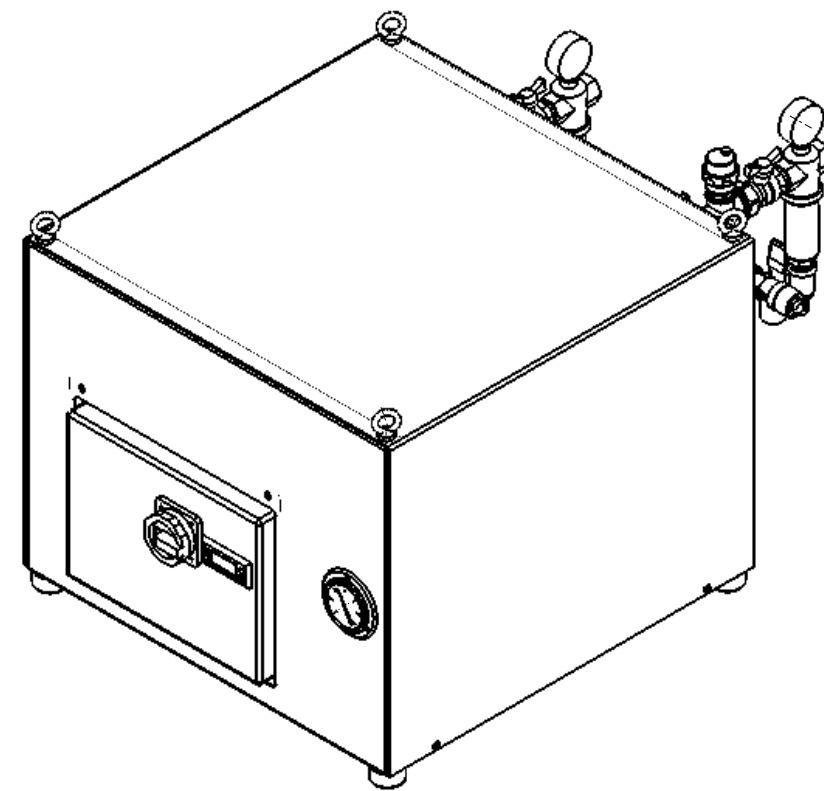
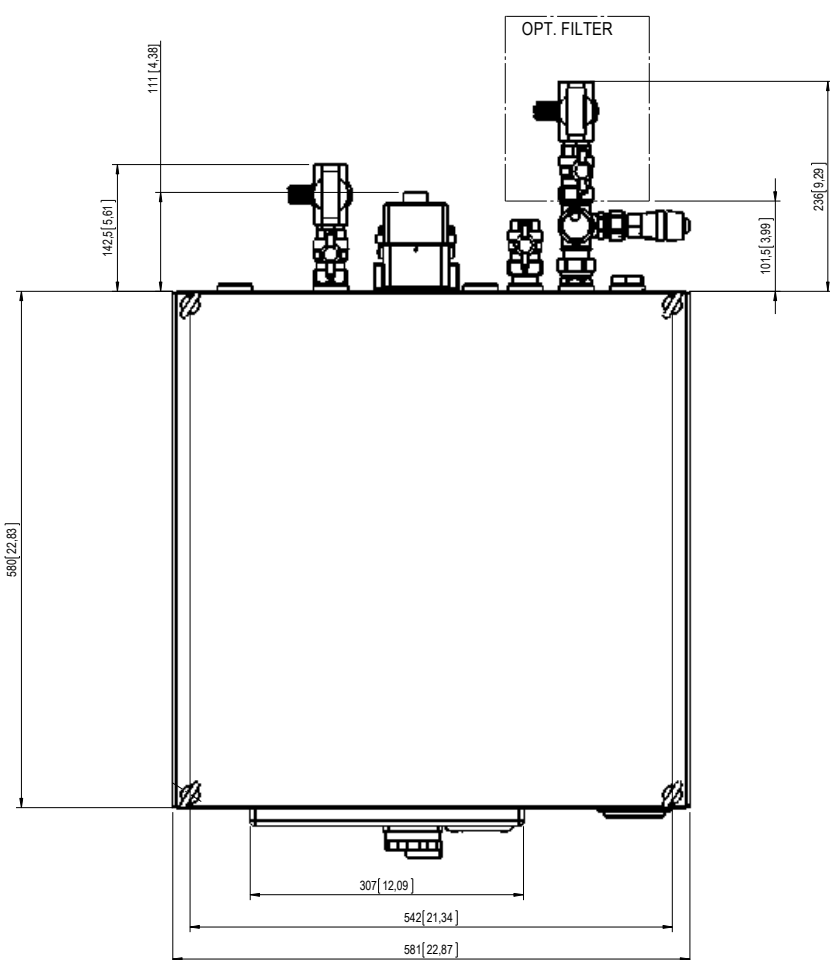


PWW 9000-18000 4x G 3/4"
PWW 18000 - 24000 4x G 1"

PWW 9000 - 18000 2x G 3/4"
PWW 18000 - 24000 2x G 1"



ISO STANDARDS REVISION LABEL AND STANDARDS REVISION LABEL UNITS OF MEASURE DIMENSIONS: mm (inch)		Tolleranza Tolleranza ISO 2768-m	Scale 1:5	Part Number 785130033
Date/Date 11 Nov 2014		Name Pasquale	Description/Description DIMENSIONAL DRAWING	
DASSI		Part Number 70038-004	Revision 01-	Revision 01-