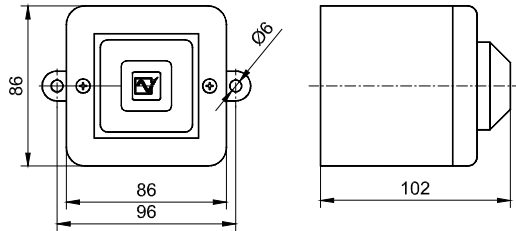


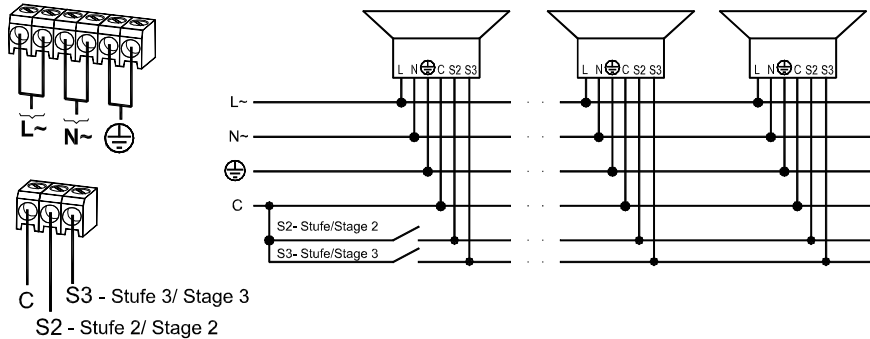
SON 4 - AC-Version

Anschluss-und Montagehinweise/ Connection and installation instructions

1. Maße / Dimensions



2. Inbetriebnahme/ Taking into operation



Tonartenswitcher
Tone selection



Stellungen der DIP-Schalter 6-8:

Schalter 6: nicht verwendet
Schalter 7 auf ON: Mittlere Lautstärke
Schalter 8 auf ON: Maximale Lautstärke
Schalter 7 und 8 auf OFF: Standardlautstärke

DIP-switch settings 6-8:

Switch 6: not used
Switch 7: "ON" = Intermediate volume
Switch 8: "ON" = Maximal volume
Switch 7 and 8: "OFF" = Standard volume

Pfannenberg

ELECTRO-TECHNOLOGY FOR INDUSTRY



Pfannenberg GmbH
Werner-Witt-Straße 1 · D- 21035 Hamburg
Tel.: +49/ (0)40/ 734 12-0 Fax: +49/ (0)40/ 734 12-101
www.pfannenberg.com
technical.support@pfannenberg.com

03/2009

Technische Änderungen, die dem Fortschritt dienen, vorbehalten.
We reserve the right to make any technical alterations in the interest of improvement.

Grundton-Nr. Stage 1	Tonart Frequency Description	Ton 2 / Stage 2	Ton 3 / Stage 3						
				1	2	3	4	5	
1	Dauerton 340 Hz Continuous at 340 Hz	2	5						
2	Wechselton 800 Hz / 1000 Hz, Wechsel alle 0,25 s Alternating 800 Hz / 1000 Hz at 0,25 s intervals	17	5	ON					
3	Ansteigender Ton 500 Hz - 1200 Hz, Dauer 3 s, 0,5 s Pause Slow whoop 500 Hz / 1200 Hz at 0,3 Hz with 0,5 s gap - repeated	2	5		ON				
4	Wobbelton 800/ 1000 Hz, Schaltfrequenz 1 Hz Sweeping 800/ 1000 Hz at 1 Hz sweep	6	5	ON	ON				
5	Dauerton 2400 Hz Continuous at 2400 Hz	3	26				ON		
6	Wobbelton 2400 Hz / 2900 Hz, Schaltfrequenz 7 Hz Sweeping 2400 Hz / 2900 Hz at 7 Hz	7	5	ON		ON			
7	Wobbelton 2400 Hz / 2900 Hz, Schaltfrequenz 1 Hz Sweeping 2400 Hz / 2900 Hz at 1 Hz	10	5		ON	ON			
8	Sirene 500 Hz / 1200 Hz / 500 Hz, Dauer 3 s Siren 500 Hz / 1200 Hz / 500 Hz at 0,3 Hz	2	5	ON	ON	ON			
9	Sägezahn 1200 Hz / 500 Hz innerhalb 1 s Sawtooth 1200 Hz / 500 Hz at 1 Hz	15	2					ON	
10	Wechselton 2400 / 2900 Hz, Wechsel alle 0,25 s Alternating 2400 Hz / 2900 Hz at 2 Hz	7	5	ON				ON	
11	Unterbrochener Ton 1000 Hz, 0,5 s Signal, 0,5 s Pause Intermittent 1000 Hz at 1 Hz	2	5		ON			ON	
12	Wechselton 800 / 1000 Hz, Wechsel alle 1,14 s Alternating 800 Hz / 1000 Hz at 0,875 Hz	4	5	ON	ON			ON	
13	Unterbrochener Ton 2400 Hz, 0,5 s Signal, 0,5 s Pause Intermittent 2400 Hz at 1 Hz	15	5				ON	ON	
14	Unterbrochener Ton 800 Hz, 0,25 s Signal, 1 s Pause Intermittent 800 Hz 0,25 s on, 1 s off	4	5	ON		ON	ON	ON	
15	Dauerton 800 Hz Continuous at 800 Hz	2	5		ON	ON	ON		
16	Unterbrochener Ton 660 Hz, 150 ms Signal, 150 ms Pause Intermittent 660 Hz - 150 ms on, 150 ms off	18	5	ON	ON	ON	ON		
17	Wechselton 544 Hz für 100 ms, 440 Hz für 400 ms (NF S 32-001) Alternating 544 Hz (100 ms) / 440 Hz (400 ms) - (NF S 32-001)	2	27						ON
18	Unterbrochener Ton 660 Hz, 1,8 s Signal, 1,8 s Pause Intermittent 660 Hz - 1,8 s on, 1,8 s off	2	5	ON					ON
19	Wobbelton 1400 Hz - 1600 Hz ansteigend 1 s, abfallend 0,5 s (NF C 48-265) 1400 Hz to 1600 Hz sweep up over 1 s, 1600 Hz to 1400 Hz sweep down over 0,5 s	2	5		ON				ON
20	Dauerton 660 Hz Continuous at 660 Hz	2	5	ON	ON				ON
21	Wechselton 554 Hz / 440 Hz, Wechsel alle 0,5 s Alternating 554 Hz / 440 Hz at 1 Hz	2	5				ON	ON	
22	Unterbrochener Ton 544 Hz, 0,875 s Signal, 0,875 s Pause Intermittent 544 Hz at 0,875 s	2	5	ON		ON			ON
23	Unterbrochener Ton 800 Hz, 0,25 s Signal, 0,25 s Pause 800 Hz pulsing at 2 Hz	6	5		ON	ON			ON
24	Hochtonsummer 800 / 1000 Hz, Schaltfrequenz 50 Hz Sweeping 800 / 1000 Hz at 50 Hz	29	5	ON	ON	ON			ON
25	Hochtonsummer 2400/2900 Hz, Schaltfrequenz 50 Hz Sweeping 2400/2900 Hz at 50 Hz	29	5					ON	ON
26	Simulierte Glocke Simulated Bell Sound	2	15	ON					ON
27	Dauerton 554 Hz Continuous at 554 Hz	26	5		ON	ON			ON
28	Dauerton 440 Hz Continuous at 440 Hz	2	5	ON	ON			ON	ON
29	Wobbelton 800 / 1000 Hz, Schaltfrequenz 7 Hz Sweeping 800 Hz / 1000 Hz at 7 Hz	7	5				ON	ON	ON
30	Unterbrochener Ton 420 Hz, 0,625s Signal/Pause 420 Hz @ 0,625 sec - Australian Alert	32	26	ON		ON	ON	ON	ON
31	Sirene 660 Hz / 1200 Hz, Schaltfrequenz 1 Hz Sweeping 660 Hz / 1200 Hz at 1 Hz	26	5		ON	ON	ON	ON	ON
32	Ansteigender Ton 500 Hz - 1200 Hz, Dauer 3,75s, 0,25 s Pause 500-1200Hz 3.75sec / 0.25sec. Australian Evacuation	30	26	ON	ON	ON	ON	ON	ON