

EB 80 WT | EB 95 WT | EB 140 WT | EB 160 WT CHILLERS 8000–16000 W

- robust industry standard
- fluid cooling with water, water/glycol mixtures and low-viscosity oils*
- steel housing with thick powder coating
- identical basic housing for oil and water cooling
- separate cooling circuit and hydraulic circuit
- equipped with a programmable control module that allows small hystereses of the temperature of the cooling medium
- integration of project-specific additional components is possible on request

* maximum viscosity 10 cSt (10 mm²/s) @ + 40 °C



PRODUCT		EB 80 WT	EB 95 WT	EB 140 WT	EB 160 WT	Unit
ARTICLE NO.		42030805001	42030955001	42031405001	42031605001	Unit
DATA						
Rated voltage		AC 50 60 400 3~ 460 3~				Hz ±1 % V ±10 %
Cooling capacity (with pump)	W18/A32	8 8.8	9.5 10.6	14 15.4	16 17.6	kW
	W10/A32	5.6 6.2	6.7 7.4	9.8 10.8	11.2 12.3	
Flow rate (pump) ¹		21	26	37	43	l/min
Pump pressure		3				bar
Ambient temperature		+15 ... +45 +59 ... +113				°C F
Medium		water/glycol – 80/20				
Medium temperature (outlet)		+10 ... +35 +50 ... +95; factory setting +18 +64				°C F
Target value tolerance		±2				K
Refrigerant	type	R410A				
	quantity	2500		3300	6100	g
Max power consumption		3.3 4.6	3.8 4.6	5.3 11.3	7.1 14.1	kW
Max current consumption		7.6 8.3	8.5 9.7	6.8 11.9	18.9 15.1	A
Starting current		28 30.5	32.4 35.7	45.4 46.9		
Control voltage		AC 24				V
Pre fuse T		16		20	25	A
Airflow ¹	external	4000 4400	5000 5500	7500 8250		m ³ /h
Tank volume		50		70		l
Connections (medium)	IG	3/4"		1"		BSP
Noise level @ 50 Hz (EN ISO 3741)		< 72				dB (A)
Weight (without packaging)		150	160	180	190	kg
Protection system according to EN 60529		IP 54				
Colour		RAL 7035 different colours available on request				

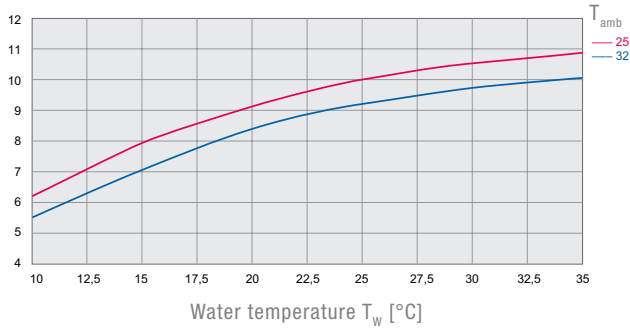
For additional models, options, voltages and accessories visit www.pfannenberg.com or contact us directly.

¹ performance data based on 50 Hz operation

Cooling capacity performance curves

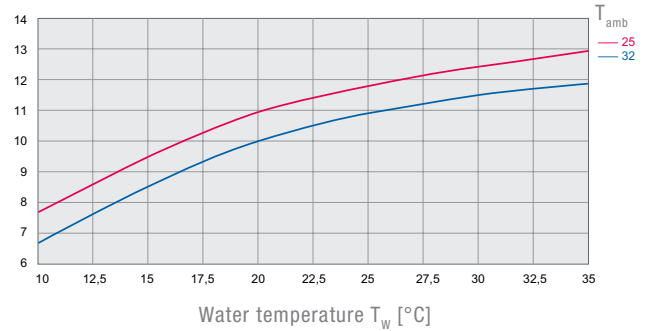
EB 80 WT (50 Hz)¹

Cooling capacity Q_0 [kW]



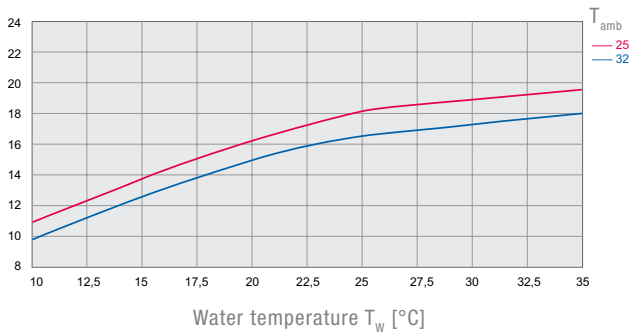
EB 95 WT (50 Hz)¹

Cooling capacity Q_0 [kW]



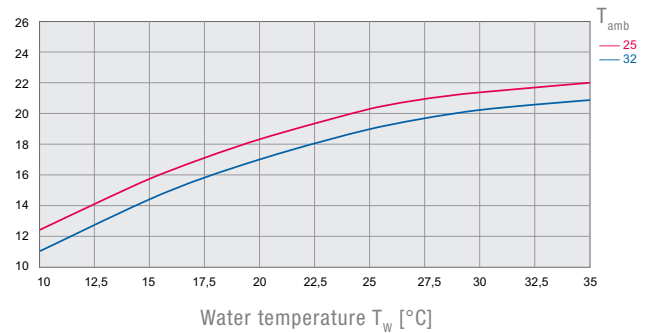
EB 140 WT (50 Hz)¹

Cooling capacity Q_0 [kW]



EB 160 WT (50 Hz)¹

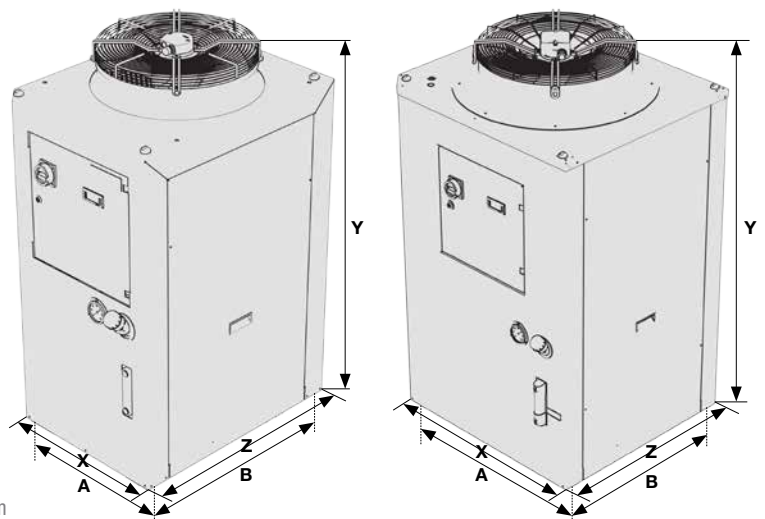
Cooling capacity Q_0 [kW]



The performance curves do include standard pump losses and refer to 50 Hz and 20 % glycol mixtures.
For a 40 °C ambient temperature you can expect capacity values shown for 32 °C to decrease by 20 %.
For a 45 °C ambient temperature you can expect capacity values shown for 32 °C to decrease by 30 %.

Dimensions

mm	EB 80 95 WT	140 160 WT
X	600	761
Y	1276 ²	1434,5 ²
Z	760,5	855,5
A	515	682
B	675,5	789



¹ the performance curves for the 60 Hz version can be obtained from your Pfannenberg advisor or at www.pfannenberg.com
² incl. fan